

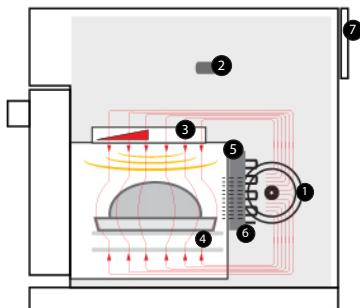


## PERFORMANCE

Utilizing TurboChef's patented technology to rapidly cook food without compromising quality, the Eco provides superior cooking performance while requiring less space and consuming less energy.

## VENTILATION

- Ventless certification
- EPA 202 test (8 hr):
  - Product: 162 Pepperoni Pizzas
  - Results: 0.89 mg/m<sup>3</sup>
  - Ventless Requirement: <5.00 mg/m<sup>3</sup>
- Internal catalytic filtration to limit smoke, grease, and odor emissions.



1. Blower Motor
2. Top-launched Microwave
3. Stirred Impinging Air (Top) and Microwave
4. Air Impingement (Bottom)
5. Catalytic Converter
6. Heater
7. Air Filter

## EXTERIOR CONSTRUCTION

- 430 stainless steel outer wrap and door
- Cool-to-touch exterior; all surfaces below 122°F/50°C
- Ergonomic door handle
- 7-inch capacitive one-touch screen with tempered glass cover

## INTERIOR CONSTRUCTION

- 201/304 stainless steel
- Fully welded and insulated cook chamber
- Removable rack and lower jetplate

## STANDARD FEATURES

- Single motor vertically circulates air impingement
- Top-launched microwave system
- Stirrer to help ensure even distribution of air and microwave
- Integral recirculating catalytic converter for UL® (KNLZ) listed ventless operation
- External air filtration
- Smart menu system capable of storing unlimited recipes
- Flash firmware updates via USB
- Single or dual-temperature interface
- Self-diagnostics for monitoring oven components and performance
- Smart Voltage Sensor Technology\* (U.S. only)
- Includes plug and cord (6 ft. nominal)
- Warranty – 1 year parts and labor
- Open Kitchen ready

## CONNECTIVITY PART NUMBERS

- MDD-1001 - Initial equipment, two-way connectivity bundle
- MDD-1002 - Additional equipment, two-way connectivity bundle
- MDD-1003 - Additional year of subscription (PhD SAAS)



## STANDARD ACCESSORIES

- 1 Oven Cleaner and Guard Kit (105701)
- 2 Solid Aluminum Pans (i1-9496)
- 1 Aluminum Paddle (i1-9716)

## CERTIFICATIONS

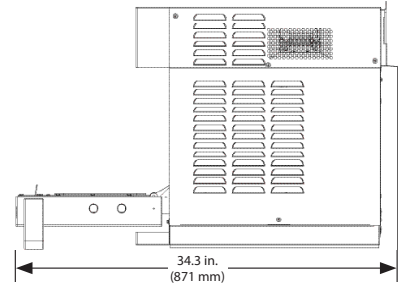
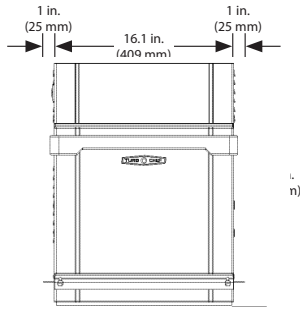
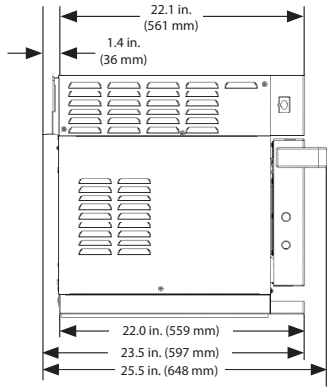


This product conforms to the ventilation recommendations set forth by NFPA96 using EPA202 test method.

\* Smart Voltage Sensor Technology does not compensate for lack of or over voltage situations. It is the responsibility of the owner to supply voltage to the unit according to the specifications on the back of this sheet.

† Ventless certification is for all food items except for foods classified as “fatty raw proteins.” Such foods include bone-in, skin-on chicken, raw hamburger meat, raw bacon, raw sausage, steaks, etc. If cooking these types of foods, consult local HVAC codes and authorities to ensure compliance with ventilation requirements.

TurboChef reserves the right to make substitutions of components or change specifications without prior notice.



**DIMENSIONS**

|  |                           |                           |
|--|---------------------------|---------------------------|
| Height   | 21.5"                     | 546 mm                    |
| Width  | 16.1"                     | 409 mm                    |
| Depth  | 23.5"                     | 597 mm                    |
| Weight   | 118 lb.                   | 54 kg                     |
| <b>Cook Chamber</b>  |                           |                           |
| Height / Usable Height                                       | 7.2" / 5.7"               | 183 mm / 145 mm           |
| Width  | 12.5"                     | 318 mm                    |
| Depth / Usable Depth   | 10.5" / 9.3"              | 267 mm / 236 mm           |
| Volume / Usable Volume                                       | 0.54 cu.ft. / 0.38 cu.ft. | 15.3 liters / 10.7 liters |
| Wall Clearance (Oven not intended for built-in installation) |                           |                           |
| Top  | 5"                        | 127 mm                    |
| Sides  | 1"                        | 25 mm                     |

**ELECTRICAL SPECIFICATIONS – SINGLE PHASE**

|   |                       |                |
|---|-----------------------|----------------|
| <b>US/CANADA</b><br>ECO-9500-801: Stainless Steel<br>ECO-9500-805: Jet Black (RAL 9005)   |                       | <br>L 6-20     |
| Voltage   | 208/240 VAC           |                |
| Frequency   | 60 Hz                 |                |
| Current   | 20 Amps               |                |
| Max Input/MW/Heaters & Blowers  | 3.6 kW/2.0 kW/4.0 kW* |                |
| <b>EUROPE</b><br>ECO-9500-807-EU: Stainless Steel<br>ECO-9500-811-EU: Jet Black (RAL 9005)  |                       | <br>CEE7/V11   |
| Voltage   | 230 VAC               |                |
| Frequency   | 50 Hz                 |                |
| Current   | 16 Amps               |                |
| Max Input/MW/Heaters & Blowers  | 3.3 kW/2.0 kW/3.7 kW* |                |
| <b>UNITED KINGDOM</b><br>ECO-9500-813-UK: Stainless Steel<br>ECO-9500-817-UK: Jet Black (RAL 9005)  |                       | <br>BS1363     |
| Voltage   | 230 VAC               |                |
| Frequency   | 50 Hz                 |                |
| Current   | 13 Amps               |                |
| Max Input/MW/Heaters & Blowers  | 2.6 kW/2.0 kW/2.9 kW* |                |
| <b>JAPAN</b><br>ECO-9500-825-JK (50 Hz)/ECO-9500-31-JK (60 Hz): Stainless Steel<br>ECO-9500-829-JK (50 Hz)/ECO-9500-35-JK (60 Hz): Jet Black (RAL 9005) |                       | <br>JIS C 8303 |
| Voltage   | 200 VAC               |                |
| Frequency   | 50 Hz or 60 Hz        |                |
| Current   | 20 Amps               |                |
| Max Input/MW/Heaters & Blowers  | 3.5 kW/2.0 kW/4.0 kW* |                |
| <b>BRAZIL</b><br>ECO-9500-837-BK: Stainless Steel<br>ECO-9500-841-BK: Jet Black (RAL 9005)  |                       | <br>NBR14136   |
| Voltage   | 220 VAC               |                |
| Frequency   | 60 Hz                 |                |

|  |                       |                    |
|--|-----------------------|--------------------|
| Current  | 20 Amps               |                    |
| Max Input/MW/Heaters & Blowers   | 3.6 kW/2.0 kW/4.0 kW* |                    |
| <b>LATIN AMERICA</b> (includes cleaner and guard)<br>ECO-9500-849-LA: Stainless Steel<br>ECO-9500-853-LA: Jet Black (RAL 9005) |                       | <br>NEMA 6-20P     |
| <b>LATIN AMERICA</b> (without cleaner and guard)<br>ECO-9500-855-LA: Stainless Steel<br>ECO-9500-859-LA: Jet Black (RAL 9005)  |                       |                    |
| Voltage  | 220 VAC               |                    |
| Frequency  | 60 Hz                 |                    |
| Current  | 20 Amps               |                    |
| Max Input/MW/Heaters & Blowers   | 3.6 kW/2.0 kW/4.0 kW* |                    |
| <b>AUSTRALIA</b><br>ECO-9500-874-AK: Stainless Steel<br>ECO-9500-878-AK: Jet Black (RAL 9005)                                  |                       | <br>CLIPSAL 439S15 |
| Voltage  | 230 VAC               |                    |
| Frequency  | 50 Hz                 |                    |
| Current  | 13 Amps               |                    |
| Max Input/MW/Heaters & Blowers   | 2.6 kW/2.0 kW/2.9 kW* |                    |
| <b>SAUDI ARABIA</b><br>ECO-9500-843-SK: Stainless Steel<br>ECO-9500-847-SK: Jet Black (RAL 9005)                               |                       | <br>IEC 309        |
| Voltage  | 230 VAC               |                    |
| Frequency  | 60 Hz                 |                    |
| Current  | 16 Amps               |                    |
| Max Input/MW/Heaters & Blowers   | 3.3 kW/2.0 kW/3.7 kW* |                    |
| <b>KOREA</b><br>ECO-9500-892-KA  |                       |                    |
| Voltage  | 220 VAC               |                    |
| Frequency  | 60 Hz                 |                    |
| Current  | 16 Amps               |                    |
| Max Input/MW/Heaters & Blowers   | 3.3 kW/2.0 kW/3.7 kW* |                    |

**SHIPPING INFORMATION**

U.S.: All ovens shipped within the U.S. are packaged in a double-wall corrugated box banded to a wooden skid.  
 International: All International ovens shipped via Air or Less than Container Loads are packaged in wooden crates.  
 Box size: 33" x 24" x 34" (838 mm x 610 mm x 864 mm)  
 Crate size: 33" x 24" x 34" (838 mm x 610 mm x 864 mm)  
 Item class: 110 NMFC #26710 HS code 8419.81  
 Approximate boxed weight: 163 lb. (74 kg) / Approximate crated weight: 191 lb. (87 kg)  
 Minimum entry clearance required for box: 34.5" (876 mm)  
 Minimum entry clearance required for crate: 34.5" (876 mm)

\* Under normal operation, the oven will not exceed the max input value.  
**TurboChef recommends installing a type D circuit breaker for European installations.**