



Temperature range: **-20°C / -10°C**

Refrigerating unit: **Internal**

Refrigerant/Cooling factor: **R404a / R507 / R448 / R449**

Name	WOJTEK 1.0W	WOJTEK 1.7W
Code	WO100	WO101
Length [mm]	1050	1710
Height [mm]	1230+/10	1230+/10
Depth [mm]	835	835
Capacity [dm ³]	104	173
Display area [m ²]	0,5	0,8
Total Display Area (TDA) [m ²]	-	-
Temp. range [°C]	(-20 ± -10°C)	(-20 ± -10°C)
Temp. class	-	-
Climate class	-	-
Energy efficiency class	-	-
Refrigerant	R404a / R507 / R448 / R449	R404a / R507 / R448 / R449
Rated voltage [V]	230/50Hz	230/50Hz
Rated power [W]	972	1341

Standard equipment

internal freezing aggregate

refrigerant system adapted for R448A / R449A

dynamic cooling (ventilated)

body with service - side base flashing composed of white, coated sheet metal

front base sheets and front panel with color-coated sheet - selectable color (IGLOO color guide)

display space made of stainless steel, prepared for the 360x165mm containers (WOJTEK 1.0 = 8 flavours, WOJTEK 1.7 = 14 flavours)

insulated plastic side walls + glass side panels - different colors available (IGLOO pattern book)

curved front glass openable

ecological polyurethane foam insulation

worktop - stainless steel

anodised aluminum profiles color gold or silver (IGLOO pattern book)

night roller blind (from staff side)

upper interior lighting - fluorescent LED

automatic defrost

automatic condenser vaporization

Options

housing with base panel from staff side made of stainless steel

front panel color - different colors available (IGLOO pattern book)

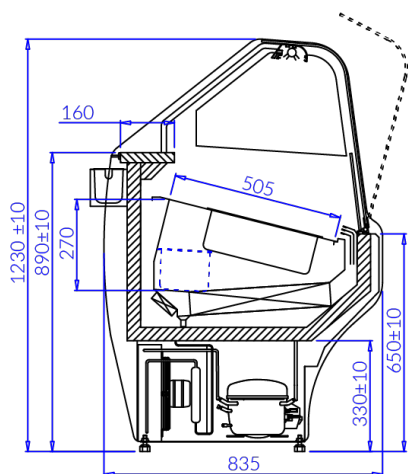
base panel made of stainless steel

scoop washer container

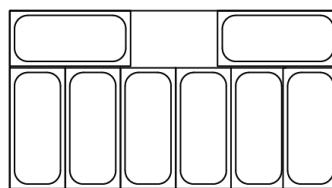
scoop washer container with water flow system

stainless steel container 360x165x120 mm

temperature recorder wire



WOJTEK 1.0

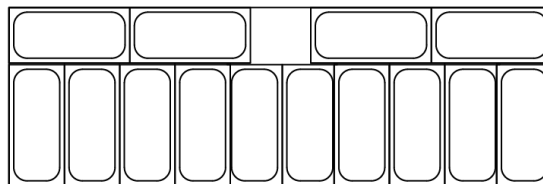


STANDARDOWE POJEMNIKI

standard ice-cream tubs

360 x 165 mm

WOJTEK 1.7



STANDARDOWE POJEMNIKI

standard ice-cream tubs

360 x 165 mm